

Table of Contents

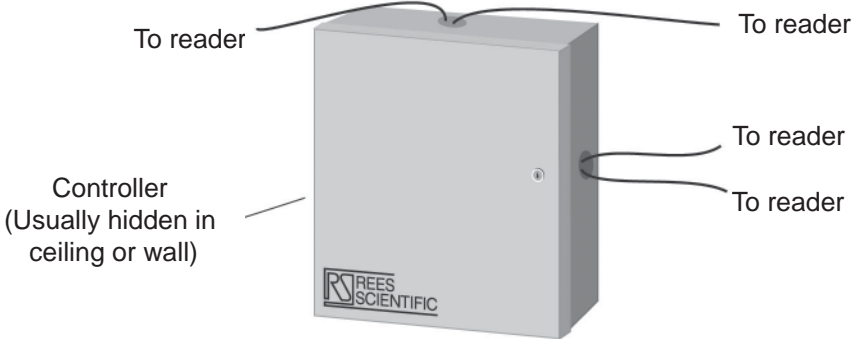
Centron Access Control

Centron Access Control.....	6-2
Centron Windows-Based Software.....	6-3
Centron Net Direct Software.....	6-4

Keypads and Readers for Access Control

Keypads	6-5
Magstripe Insertion Readers	6-6
Proximity Card Reader	6-8
Proximity Cards and Accessories	6-9
Egress Accessories	6-10
Intercom Egress Button	6-11
Locking Devices	6-12
Freezer Locks.....	6-13
'Unlatch' Electronic Strike.....	6-14
Electronic Door Strike ANSI.....	6-15
Zone Loop Indicator Light.....	6-16
Key Switch Override.....	6-17
Power Supply	6-18
Battery Backup	6-19
Acoustic/Vibration Glassbreak Sensor	6-20
Magnetic Contact Door Switch	6-21
Motion Detectors	6-22
Window Bug	6-23

Access Control Controllers



Application:

Card access is an easy to use, flexible way to monitor access to your facility. User definable reports based on time, date, or activity may be viewed on screen or printed out. Direct documentation of the total event log between selected dates; doors entered by individual card holders between selected dates; violations by cardholder and date; time and attendance; and various lists of cardholders information.

Specifications: **Dimensions:** 15.125" H x 11.125" W x 4.25"D

- There are up to 32 nodes on the system, with each node controlling up to 16 controllers.
- Each controller can control either 2 or 4 door readers.
- Up to 1500 events can be stored in each controller. (Uploading to the PC can be done automatically or by menu selection.)
- Controller units are separate from readers for additional security.
- They can be programmed to set off either a local or remote alarm if anyone tries to tamper with them.
- The system continues to monitor and control access even when the user is programming it, or downloading data.
- The system supports several different types of cards and card readers: Magnetic Stripe, with or without PIN numbers, Wiegand, Proximity, and Keypad.
- Card access numbers can be up to 12 digits for security.
- The system is Windows® based and can be run from your desktop PC.
- The system is network compatible & multi-user. It can be ordered in 1, 3 or 10 user versions.
- Will support security devices such as motion detectors, window bugs, and door switches.
- Will support up to 32,000 cardholders.
- Up to 64 schedules and 64 access groups per node. Up to 32 holidays per node.
- Up to 64 schedules for auto unlock and alarm shunt.
- Up to 32 Alarm relays may be activated by two methods: time activation, and mapped activation based on input point violation.
- Program access locked by user programmable access code.
- Telephoned alarms are available as an option.
- Optional 24 hour battery backup.
- Continuous self-testing.
- Power: 12 VAC wall transformer.

Type	Order #
Two Door Controller	SEC-RS-RDRC
Four Door Controller	SEC-RS-RDRC-Q
Two Door Controller w/Power & 4 Hr. Battery Backup	SEC-2RDRC-4P
Four Door Controller w/Power & 4 Hr. Battery Backup	SEC-4RDRC-4P
Two Door Controller w/Power & 24 Hr. Battery Backup	SEC-2RDRC-24P
Four Door Controller w/Power & 24 Hr. Battery Backup	SEC-4RDRC-24P

Access Control Windows®-Based Software

The Centron monitoring system operates under the Windows® environment. Special firmware (proms) and software (disks) are required for the node and computer respectively.

ACCESS CENSOFT	Windows® based software with new system installation or at the next validation under contract. (1 user,1 node) (Requires Rees installation)
ACCESS-ND	Windows® based proms for additional Reader Controller.

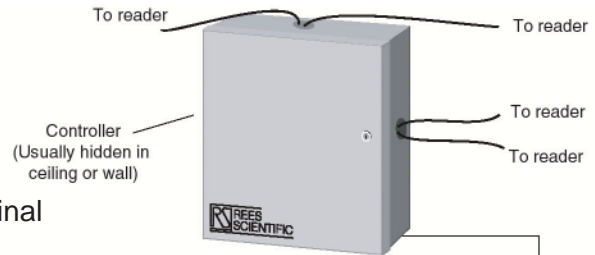
The Rees Scientific Access Control system offers the following software upgrade options.

TCP-3	E-mail/Open System/DDE Option. The Open System gives you secure encrypted data, and allows the Centron security nodes to simultaneously update any database you want. The E-mail option offers those who use e-mail on a daily basis to have the Centron notify them of readings and events via a personal e-mail message. TCP/IP. A program called TCPLink is provided to link nodes over TCP/IP. This is a 3 user license.
TCP-10	E-mail/Open System/DDE Option. The Open System gives you secure encrypted data, and allows the Centron to simultaneously update any database you want. The E-mail option offers those who use e-mail on a daily basis to have the Centron notify them of readings and events via a personal e-mail message. TCP/IP. A program called TCPLink is provided to link nodes over TCP/IP. This is a 10 user license.
VAL-KIT	Validation kit
WIN-MAP	Map/Floorplan to enhance Windows® Software
ACCESS-UPGR-1	1 Additional User License Upgrade from Base TCP-3 or TCP-10 (For Centron Software users)
ACCESS-UPGR-3	3 Additional User License Upgrade from Base TCP-3 or TCP-10 (For Centron Software users)
ACCESS-UPGR-10	10 Additional User License Upgrade from Base TCP-3 or TCP-10 (For Centron Software users)

Net-Direct

Application:

“Net-Direct” allows you to access remote Nodes without installing a PC network terminal in the area; perfect for those with remote buildings or systems. Simple software runs on the Rees Server (or other PC) enabling you to configure and recognize the node. You can configure the node in a direct connect mode (single user), or TCPLink mode (multi-user).



When “Net-Direct” is installed in your controller it allows you to connect directly to your existing TCP/IP network rather than the normal network terminal. “Net-Direct” supports both 10BaseT RJ45 Ethernet and 10Base2 Coaxial Network connections. This will allow you to install the controllers in closets and other remote areas, and NOT require a PC to be in the vicinity. No dedicated modems required; use your existing Ethernet infrastructure.

Specifications:

Dimensions: 4.5” W x 6.5” L x 1” H

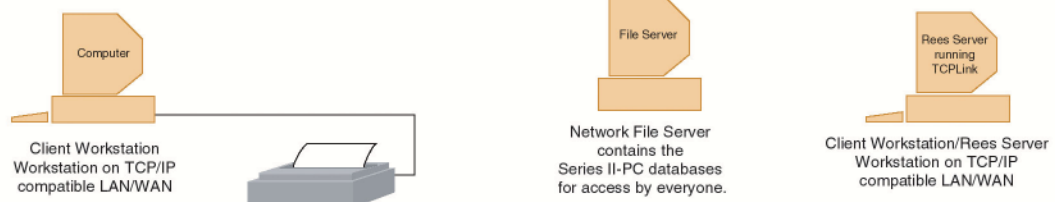
(Mounted inside Rees Node)

• Customer Requirements:

- 120 VAC outlet for a 6 VDC wall transformer. (This is in addition to 120 VAC required for node.)
- Ethernet connection available at Controller #0
- Dedicated IP Address for Controller #0
- TCP/IP Protocol installed at each workstation. (Does not support NetBIOS)
- WinData Option purchased for your Rees System.

Note: Net-Direct is not battery backed-up. Customers may lose communication with the network during a power failure. Communication will be restored when power is restored. Rees Scientific recommends that you place the node and “Net-Direct” on emergency power when available. Your Rees monitor is, of course, battery backed-up, and it will continue monitoring and recording data. The information will be downloaded as soon as you’re back on line.

Type	Order#
Net-Direct	NET-DIRECT



Application:

The keypad entry device may be used when it is not convenient for everyone to be issued a card. Entering the appropriate code on the keypad unlocks the door.

The surface mount design features easy installation even on block or solid walls.

The outdoor version is water resistant.



Surface Mount

4.88" W x 4.88" H x 1.25" D

Specifications:

- 6 Conductor 22 AWG shielded cable required for installation (Max. length 500').
- Red LED indicates power .
- Green LED indicates code accepted.

Type	Order #
Indoor Surface	SEC-KEYPAD-IS
Outdoor Surface	SEC-KEYPAD-OS

MagStripe Insertion Readers

Application:

The insertion reader is completely enclosed to minimize vandalism. To open the door, insert the card until it stops. The surface mount design features easy installation even on block or solid walls. The flush mount design offers minimum protrusion from the wall.

This reader requires at least 3.652" wall thickness. Both the surface and flush outdoor versions are water resistant.



Surface Mount

6.125 W x 4.125" H x 3.75" D



Flush Mount

6" W x 4" H x .125" D (3.625" Recessed in wall)

Specifications:

6 Conductor 22 AWG shielded cable required for installation (Max. length 500').
 Red LED indicates power.
 Green LED indicates card accepted.

Type	Order #
Indoor Surface	SEC-INS-IS
Outdoor Surface	SEC-INS-OS
Indoor/Outdoor Flush	SEC-INS-IOF
Magnetic Card	SEC-MAG-CARD

MagStripe Insertion Readers with Keypad

Application:

The insertion reader with keypad PIN (personal identification number) should be used in installations where you need a higher degree of security than either keypad or card reader alone can offer. After inserting the card, you must then enter the appropriate 1 to 6 digit number on the keypad before gaining entry. The surface mount design features easy installation even on block or solid walls. The flush mount design offers minimum protrusion from the wall. This reader requires at least 3.625" wall thickness.

Both the surface and flush outdoor versions are water resistant.



Surface Mount
 4.88" W x 4.88" H x 3.75" D

Specifications:

- 6 Conductor 22 AWG shielded cable required for installation (Max. length 500').
- Red LED indicates power.
- Audible tone indicated valid card swiped.
- Green LED indicates code accepted.

Type	Order #
Indoor Surface	SEC-INSKEY-IS
Outdoor Surface	SEC-INSKEY-OS
Magnetic Card	SEC-MAG-CARD

Proximity Card Readers

Application:

Today's choice for Card Access security, our Proximity Card Readers are available in a variety of options. The Proximity Reader's weatherproof design and architecturally attractive enclosure allows easy mounting indoors or out.



Specifications:

Dimensions: 11.80" W x 11.80" L x 1.0" D

1.70" W x 6.00" L x 1.0" D

- Read Range at 12VDC: Up to 8"
- Input Voltage: Configurable 12 or 24 VDC Mini: 5-16 VDC
- Current Requirements: DC Current at 12V: avg/peak:200 mA/700 mA

DC Current at 24V: avg/peak:260 mA/1.2 A

Mini: Current at 5 VDC: avg/peak:30 mA/110 mA

Mini: Current at 12 VDC: avg/peak:20 mA/110 mA

Type	Order #
Indoor/Outdoor Wallmount Proximity Reader	SEC-PROX2-RDR
Indoor/Outdoor Mullion Mount Reader	SEC-PROX2-RDRM
Indoor/Outdoor Proximity Reader for use w/ Single Gang Box	SEC-PROX2-T2
Indoor/Outdoor Proximity Reader with Keypad	SEC-PROX2-RKEY

Proximity Cards and Accessories

Application:

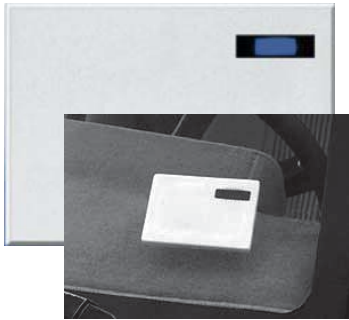


The RF programmable ISOProx II Proximity Access Card offers proximity technology and photo identification on a single access control card. Thin, flexible polyvinyl chloride (PVC) laminate (meets ISO standards for thickness).

Specifications:

- Read Range at 12VDC: Up to 7"
- Operating Temperature: -50° to 160° F (-45° to 70° C)
- Frequency: 125 kHz

Application:



ProxPass® is an active tag specifically designed for vehicle access control. Providing convenient access control for parking and fleet management applications, ProxPass is the ideal augmentation to an existing or new proximity installation. Long range active vehicle tag, customer specified ID numbers.

Specifications:

- Read Range: 6 feet (1.9 m) to 8 feet (2.5 m) (Depending on local installation conditions.)
- Operating Temperature: -22° to 185° F (-30° to +85° C)
- Frequency: 125 kHz
- Two to five year battery life. (Depending on usage.)

Application:



The RF-programmable ProxKey® II proximity keyfob incorporates proximity technology into a convenient device approximately the size of an automotive key. Offers extremely consistent read range. Provides an external number for easy identification and control. Supports formats up to 85 bits, with over 137 billion codes.

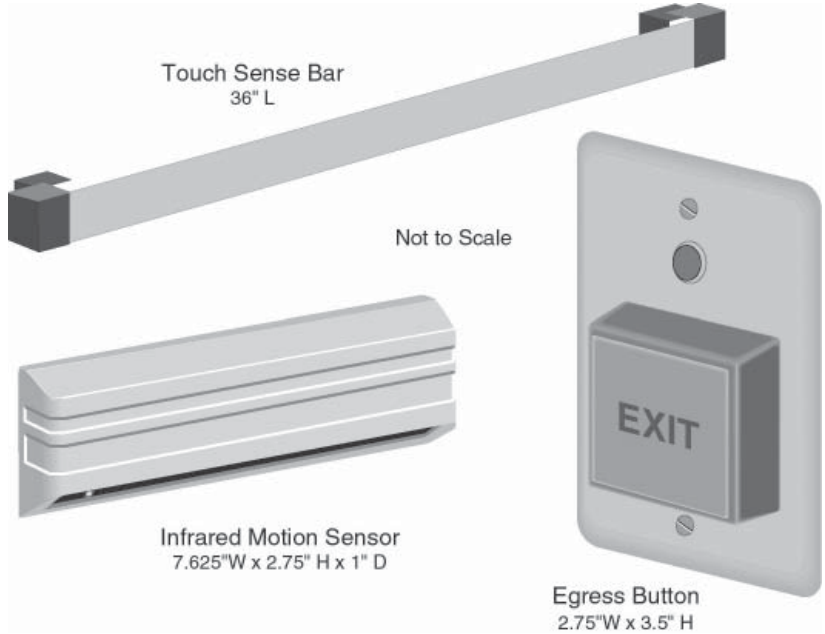
Specifications:

- Read Range at 12VDC: Up to 3"
- Operating Temperature: -50° to 160° F (-45° to 70° C)
- Frequency: 125 kHz

Type	Order #
Proximity Cards - Standard Card w/Hole Punch	SEC-PROX2-CARD
Proximity Cards for use w/DataCard Express	SEC-PROX2-BDG
Proximity Vehicle Tag	SEC-PROX2-AUTO
Proximity Key Fob	SEC-PROX2-KEY

Application:

Touch bars and EXIT buttons provide immediate exit for electrically secured doors to meet local codes.



Specifications:

Touch Bars provide immediate, or delayed, egress.
 Accepts 12 to 24 VAC or VDC w/SPDT output.
 Releases door only when it senses human touch.
 Strength is adjustable to sense through clothing.

Exit Button has 2" illuminated palm button and red LED.
 Single gang stainless mounting with
 tamper proof screws and back-box.
 5 Amp SPDT contacts
 Operates on 12 or 24 VDC.

Passive Infrared Motion Sensor
 Detection Range: Max. 2.5 meters (8.2')
 Variable angle: 10° to 20°
 Power Requirement: 24V ±2V AC/DC
 Consumption: 2VA max.

Green LED indicator: Power=on/Operating=off
 Output Contact: Relay Contact (SPDT) 50V 0.1A (Resistance load)
 Output Hold: 1 sec. ±0.5 sec. (Delay timer)
 Ambient Temperature Range: -20° to +55°C. (-4° to +131°F.)
 Color: Silver

Type	Order #
Touch Bar-36"	SEC-TOUCH BAR1
Exit Request Button	SEC-EXREQ-SW
Infrared Motion Sensor for Egress	SEC-AIR-EXIT

Intercom with Door Release Egress Button

Application:

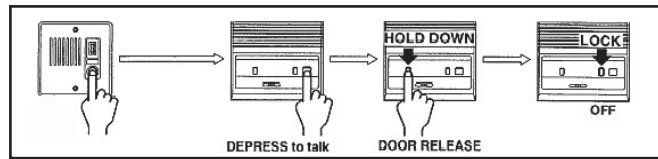
This system provides calling and communication from a secured door to an inside station. Once a visitor's identification is verified, a door release button can allow the visitor to be buzzed in from the inside station.



Door Station



Master Station w/
door release button



Features: **Dimensions:** Door Station Master Station
 4-3/4" x 3-1/2" x 1-1/8" (H x W x D): 7-1/16" x 5-5/8" x 2-1/8"

- Open voice door answering system with door release
- Call tone and communication volume controls
- Door release control (normally open contacts)
- Wall or desk mountable master station
- AC or DC powered

Specifications:

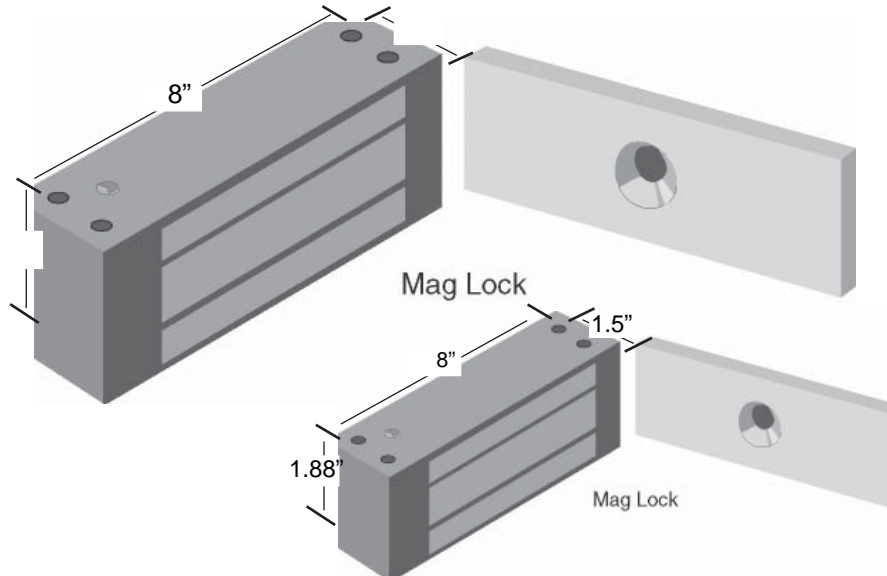
Power Source	12 ~ 16V AC 4W 12 ~ 24V DC, 200 mA (24V)
Communication	When call tone is heard, press TALK to reply. Press door release button for door strike, and OFF when finished.
Wiring	2 wires, shielded, plus separate 2 wires for door strike.
Distance	650' wth 22AWG, 1600' with 18 AWG.

Type	Order#
Intercom with door release egress button.	INTERCOM-1

Locking Devices

Application:

Electromagnetic door locks provide immediate, or delayed, egress on electrically secured doors. They can be used with all kinds of doors, even if they are warped, out of alignment, or subject to extreme weather and use. There are no moving parts.



Specifications:

Dimensions: see above illustration

Maglocks:

- Operating power: 125mA @ 24 VDC (Exterior Door / Double Door Maglocks)
150mA @ 24 VDC (Interior Door Maglocks)
- UL recognized and listed for use on fire rated and non fire rated emergency exit doors.
- No moving parts.

Type	Order #	Holding Power
Maglock for Exterior Outswinging Door	SEC-LRGMAG-OUT	1200 lbs
Maglock for Exterior Inswinging Door	SEC-LRGMAG-INS	1200 lbs
Maglock for Interior Outswinging Door	SEC-MINMAG-OUT	600 lbs
Maglock for Interior Inswinging Door	SEC-MINMAG-INS	600 lbs
Maglock for Double Door Inswinging with Split Strike	SEC-DDMAG-INS	600 lbs per door
Maglock for Double Door Outswinging with Split Strike	SEC-DDMAG-OUT	600 lbs per door

Stand-Alone Freezer/Refrigerator Lock

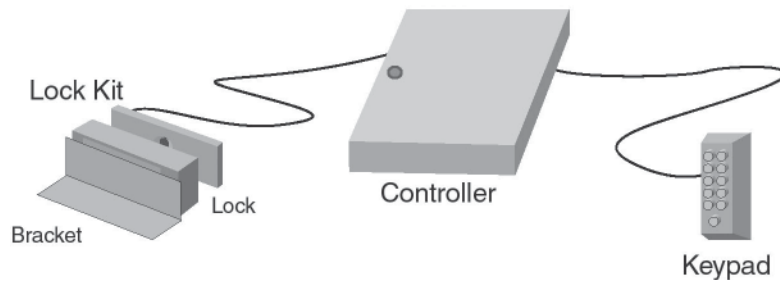
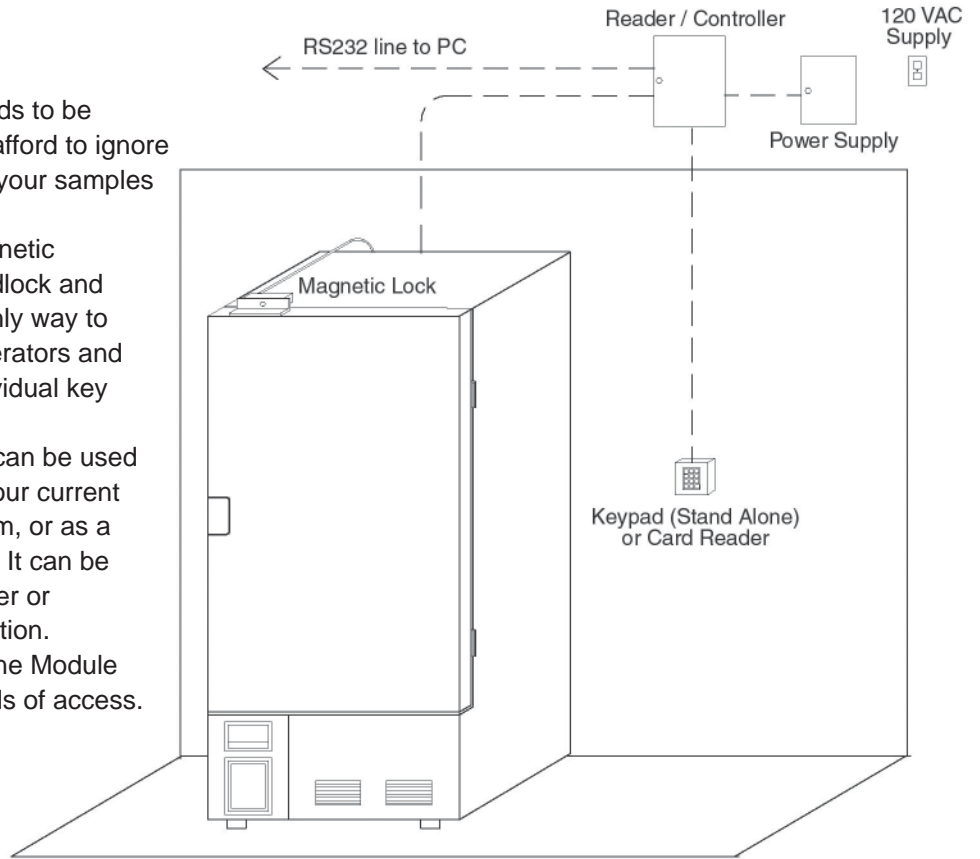
Application:

When your work needs to be Validated, you can't afford to ignore controlled access to your samples and experiments.

This convenient magnetic lock replaces the padlock and chain that was the only way to limit access to refrigerators and freezers without individual key locks.

This access system can be used in conjunction with your current access control system, or as a stand alone module. It can be adapted to any freezer or refrigerator configuration.

Note: The Stand-Alone Module does not keep records of access.



Specifications:

- The module consists of:
- Electromagnetic lock; 600 lbs of holding force.
 - Card reader or keypad
 - Electronic controller
 - Power to lock protected by a stainless steel armored cable.
 - Lock and strike plate fastened to equipment with two part epoxy adhesive; no holes are drilled in the equipment.

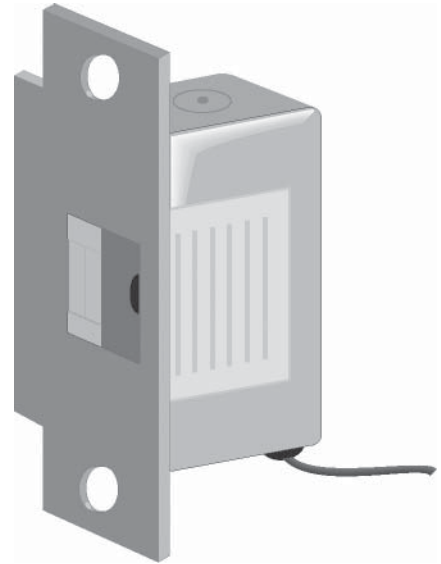
Type	Order #
Lock Kit	FREEZER-LOCK

6-13 **Optional:** Battery Backup P.S.

'Unlatch' Electronic Strike

Application:

The 'unlatch' takes the place of traditional electric strikes by allowing the installation into a standard ANSI 4-7/8" cutout. This means that the unlatch can be easily installed without door-frame modification; it fits into the cutout for the old lock. This less invasive install is ideal for those in temporary quarters or in a rental situation. This latch reliably releases the door even when the person entering is already pulling on it. Standard strikes can't do this. The 'unlatch' is resistant to abuse-caused failure as the door latch, when rattled, impacts a solid element within the 'unlatch'.



Specifications:

Dimensions: Standard ANSI 4 7/8" Strike

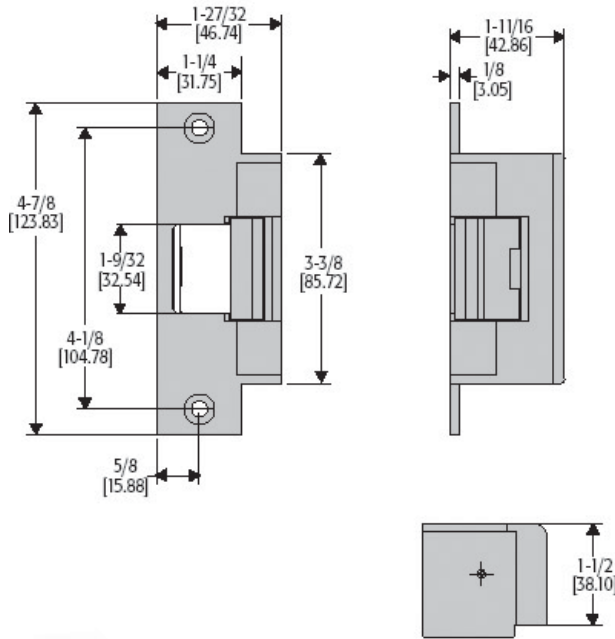
- Dimensions: 3-3/8" Long, 1-3/8" Wide, 1-7/16" Deep
- Voltage: 12 & 24 VDC +20%-10%. Full wave rectified DC acceptable.
- Current Draw: (@ 12VDC) 40mA continuous, minimum 300mA when motor is operating. (@ 24VDC) 40mA continuous, minimum 200mA when motor is operating.
- Higher capacity supply (1-3 Amps) is recommended for start-up inrush to achieve best operation under pre-load.
- Electric Motor: No solenoids.
- Operating Temperature Range: -20°F to +125°F.
- Listings: ULR18923 and BP7041
- Stainless Steel Face with Metal Enclosure
- Supplied with 10 ft. Cable
- Mounting Fasteners Included.

Type	Order #
Unlatch Electronic Strike	SEC-UNLATCH

Electronic Door Strike ANSI

Application:

This electric strike will enable the user to install into a standard ANSI 4-7/8" cutout which means it can be easily installed into the existing cutout for the old lock without door-frame modification. This less invasive install is ideal for those in temporary quarters or in a rental situation.



Specifications:

Dimensions: Standard ANSI 4-7/8" Strike

- Voltage: 12 or 24 VDC
- Current Draw: (@12VDC) .45 amps (@124VDC) .25 amps
- All Stainless Steel Construction - For corrosion resistance, strength and durability.
- Field Reversible - Fail Secure/Fail Safe.
- U.L. Listed for Fire Door Accessory, category 10B
- U.L. Listed for Burglary Resistance, category 1034
- BHMA Standard 501, Grade 1
- ASTM specification E 152
- NFPA specification 252

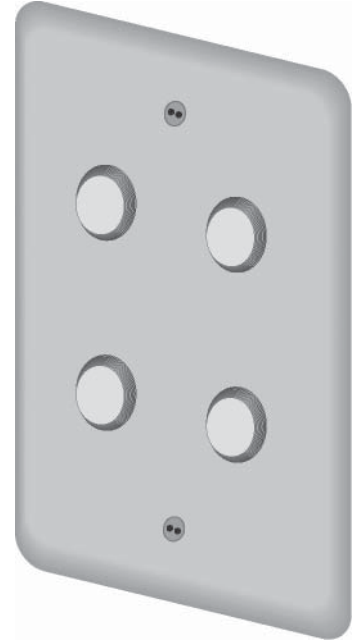
Type	Order #
24 Volt Electric Strike for Standard 4 7/8" ANSI Cutout	SEC-ANSI-STRK

Zone Loop Indicator Light

Application:

When a building is shared, or for special security reasons, you may want to divide the facility into various alarm zones. A group of alarm inputs and/or a group of readers are combined to create an “alarm zone.” Then, for instance, if any input in a particular area goes into alarm, the alarm zone in that area will go into alarm and appropriate action will occur. Zones may be within a floor or may encompass a group of floors. The zones are established by using the Alarm Zone Programming item on the Program Menu.

When you scan your card to leave the LED of the Zone Loop Indicator will indicate if the perimeter security devices such as motion sensors, door switches, or window bugs are armed or disarmed.



Specifications:

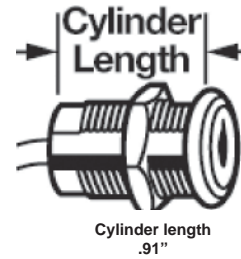
Red and Green LEDs mounted on a stainless steel single gang plate.
UL/cUL Recognized and UL/cUL listed Components as stand alone products.

Type	Order #
Zone Loop Indicator Light	SEC-LOOPIND

Key-Switch Override

Application:

Used to interrupt power to maglocks and strikes by fire department and security personnel. Not for high security environments.



Specifications:

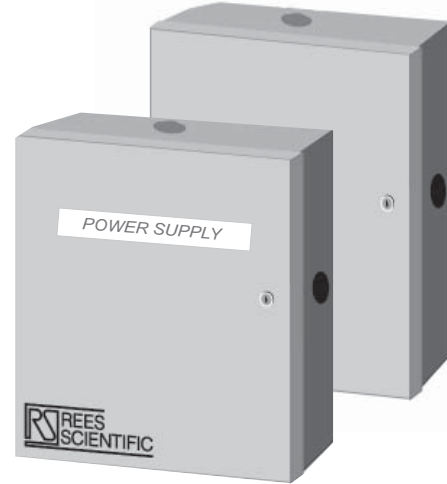
Dimensions: 0.76" 0.91" Solder Lug

- Contacts: DPDT
- Load Rating @125VAC: 4 amps
- Keyed: Alike
- Key Removal Positions: On/Off
- Panel Cutout Diagram: .76"
- Cylinder Length: .91"
- Terminal Connection: Solder Lug
- 4-Disc Tumbler Switches— UL recognized; CSA certified.

Type	Order #
DPDT Key Switch General Purpose Use	SEC-KEY-SW1

Application:

The Magnetic Lock Power Supply is designed to supply 12 or 24 Volts for the operation of security and safety equipment.



Specifications:

Dimensions: 15.125" H x 11.125" W x 4.25"D

- Internal capability of charging optional 12 or 24 VDC sealed lead acid backup batteries while operating the DC load
- Complete! Requires only 120VAC to the fused input.
- Provided with emergency release terminals, allowing release of all devices upon fire alarm activation.
- Fire alarm interface
- Class 2 rated by UL

Type	Order #
Mag Lock Power Supply 1 Amp (no battery backup)	SEC-MAG-PWR
Mag Lock Power Supply 2 Amp (used w/battery backup)	SEC-MAG-PWR2

Battery Backup

Application:

The CABB-24HR is the 24-hour battery backup system for the card access Reader Controller without auxiliary power. The battery backup consists of one 12 Volt 7 AH battery placed in the controller box.

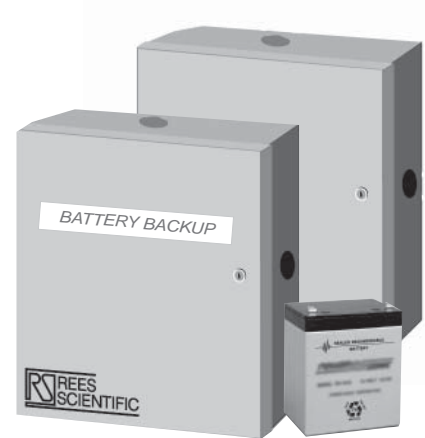
The CABB-4HR is the 4-hour battery backup system for the card access Reader Controller without auxiliary power. The battery backup consists of one 12 Volt 1.2 AH battery in the controller box.

The CABB-24P is the 24-hour battery backup system for the card access Reader Controller using board powered Proximity Readers. The battery backup consists of one 12 Volt 17 AH.

The CABB-4P is the 24-hour battery backup system for the card access Reader Controller using board powered Proximity Readers. The battery backup consists of one 12 Volt 4 AH battery in the controller box.

The MLBB-24HR is the 24-hour battery backup system for the 24 Volt DC power supply utilized in the Card Access System to power the door locking devices. The battery backup consists of two batteries in the power supply housing and two batteries in a separate box.

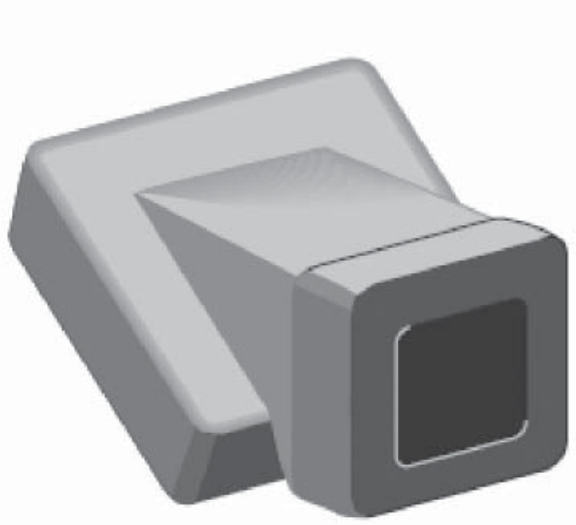
The MLBB-4HR is the 4-hour battery backup system for the 24 Volt power supply utilized in the Card Access System to power the door locking devices. The battery backup consists of two batteries in the power supply housing.



Dimensions: 15.125" H x 11.125" W x 4.25"D

Type	Order #
Reader Controller Battery Backup, 24 hrs	CABB-24HR
Reader Controller Battery Backup, 24 hrs-Prox Rdrs	CABB-24P
Reader Controller Battery Backup, 4 hrs	CABB-4HR
Reader Controller Battery Backup, 4 hrs-Prox Rdrs	CABB-4P
Lock Power Supply with Battery Backup, 24 hrs	MLBB-24HR
Lock Power Supply with Battery Backup, 4 hrs	MLBB-4HR

Acoustic/Vibration Glassbreak Sensor



Application:

Dual technology glassbreak sensors detect both sound and vibration, giving accurate glass-break information in situations where single technology sensors might create false alarms.

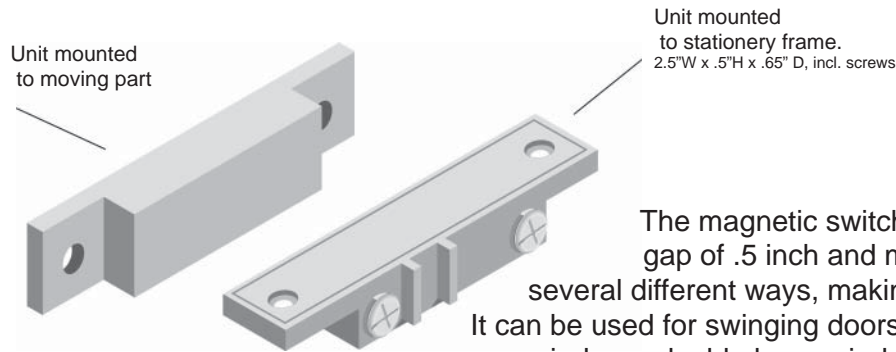
Specifications:

Dimensions: 2"H x 2" W x 1-1/2" D

- Both acoustic and vibration sensitive.
- Requires simultaneous detection of both acoustic glassbreak frequency and detection of shock wave vibration in order to alarm.
- Detects all glass types, including laminated glass, without special adjustments.
- Protects 35' x 20' sections of glass.
- Five year limited warranty.

Type	Order #
Acoustic/Vibration	GLASSBREAK-1

Magnetic Contact Door Switch

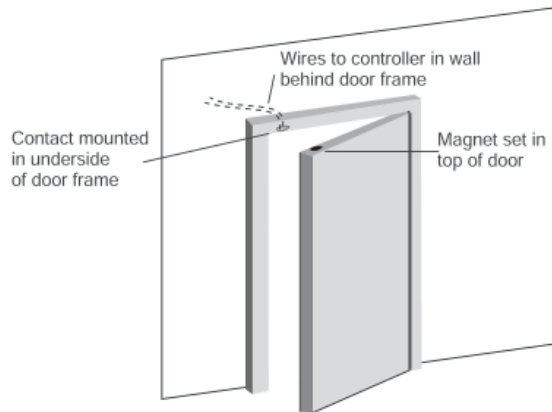


Application:

The magnetic switch has an operating gap of .5 inch and may be mounted in several different ways, making it very versatile. It can be used for swinging doors, sliding windows, double hung windows, and skylights.

The magnetic contact door switch was designed to be used for intrusion detection with the Centron but it can be used on refrigerators and freezers to monitor door ajar conditions.

For new construction, or doors within hollow walls you can use a hidden magnetic door switch (DOORSW-2) and there is also a magnetic contact door switch that can be used for overhead garage or shipping bay type doors (DOORSW-OV).



Specifications:

- **Operating Gap:** 0.5" Max.
- **Contact Rating:** 120VAC
- **Contact Max. Current:** 1A DC
- **Operating Temperature:** -20° to +95° C., (-4° to +203° F.)
- **Installation:** Side to side, side to face, and face to face.

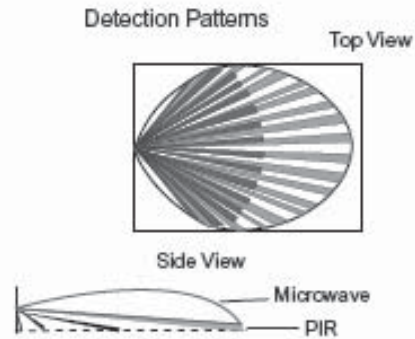
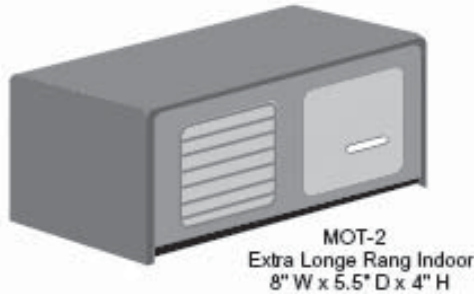
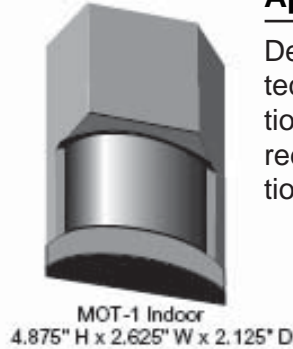
A normally closed switch means that when the door is closed, the switch is closed.

Type	Order #
Standard:Normally Closed	DOORSW
Hidden Door Switch	DOORSW-2
Overhead Door Switch	DOORSW-OV

Motion Detectors

Application:

Detect motion indoor with dual technology microwave/PIR motion detectors. False alarms are reduced without reducing detection.



Specifications:

Extra Long Range Indoor - MOT-2

- Dual Microwave and Passive Infrared (PIR)
- Wall mounted with Swivel bracket- (90° lateral adjustment, 180° horizontal adjustment)
- Protects an area 200 x 115 feet.
- Range adjustment is provided from approx. 10' to full range.
- Walk-test light (Red LED lights on alarm status).
- Energized circuitry, system alarms upon loss of power.
- 24-hour, normally closed tamper protection.
- RFI Immunity.
- UL listed.

Outdoor - MOT-3

- Passive Infrared
- Cast metal housing.
- Water resistant, dust proof.
- **Operating Temperature:** -40°C. to +49°C., (-40°F. to +120°F.)
- Maintains range as background temperature nears body temperature.
- **Standard lens:** 45' x 45' 90° wide angle.

Standard Indoor - MOT-1

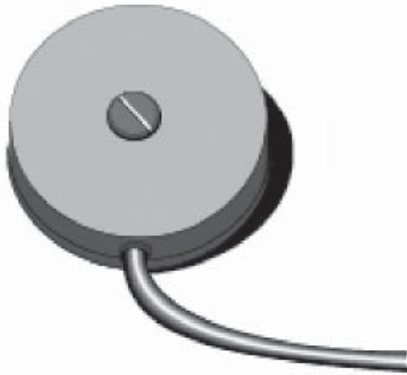
- Dual microwave / PIR.
- 50' range.
- Look down zone.
- Low current draw (27mA @ 12 VDC)

Type	Order #
Indoor	MOT-1
Long Range Indoor	MOT-2
Outdoor	MOT-3

Window Bug

Application:

Used to detect the breaking of glass. The window bug actually “listens” for the sound of breaking glass. The window bug requires the use of a pulse stretcher to insure reliable detection of glass breakage. Only one pulse stretcher is required to handle the signal from multiple windows going to one input. You need one pulse stretcher for each input connection. To know exactly which window has been broken, a pulse stretcher will be required for each window bug. Pulse stretchers are sold separately. Pulse stretchers are hooked up in the remote panel and are not seen on the window.



Specifications:

Dimensions: 1.25" diam. x .5" D

Window bug

- Protects 32 square feet of glass.
- Adjustable sensitivity with locking mechanism.
- Internal tamper switch.
- Automatic reset.
- NC or NO operation.
- Adhesive backing.
- Color: white.

Pulse Stretcher

- 6 to 12VDC
- NC
- SPST output
- Provides 5 second delay.
- May be used with any number of window bugs.

Type	Order #
Glassbreak-sound	WINBUG
Pulse Stretcher	WINSTR